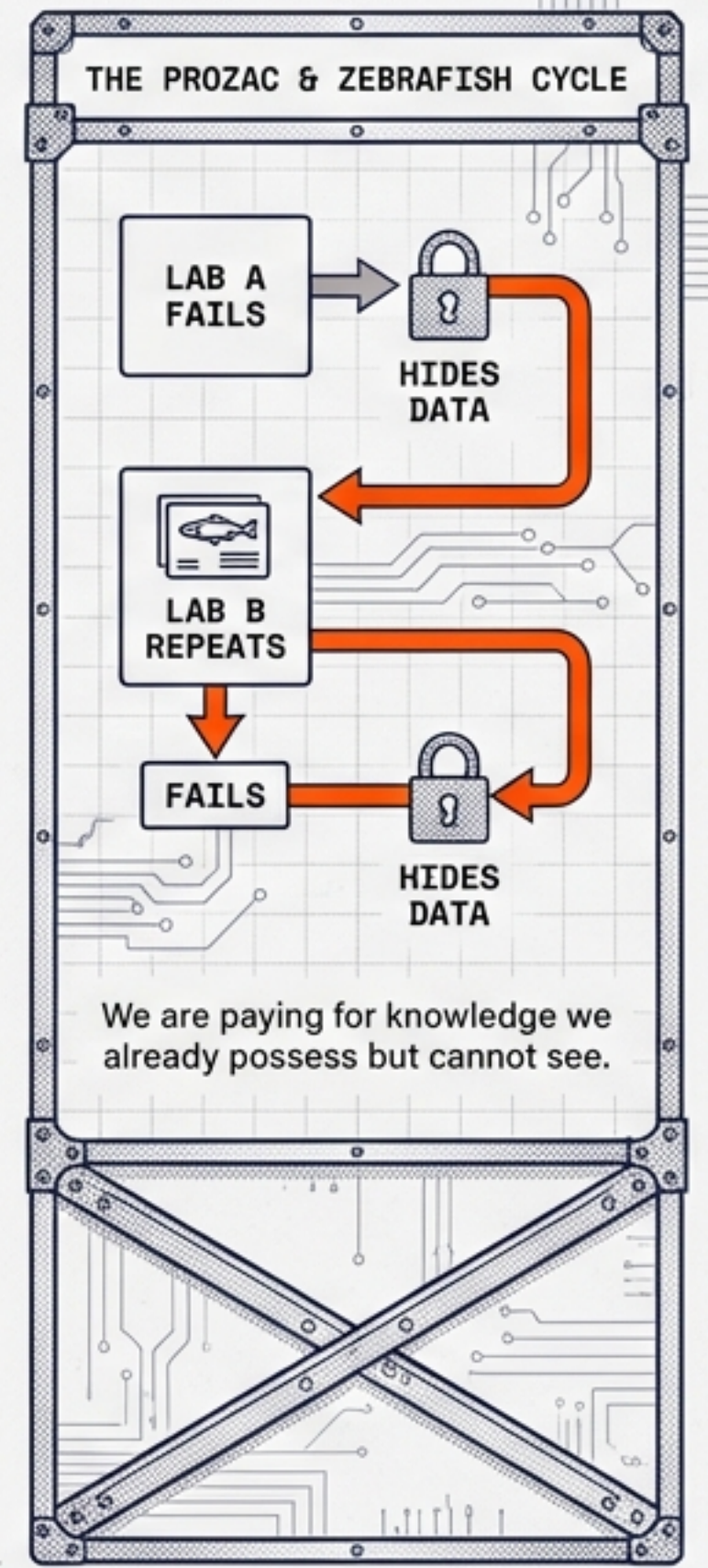
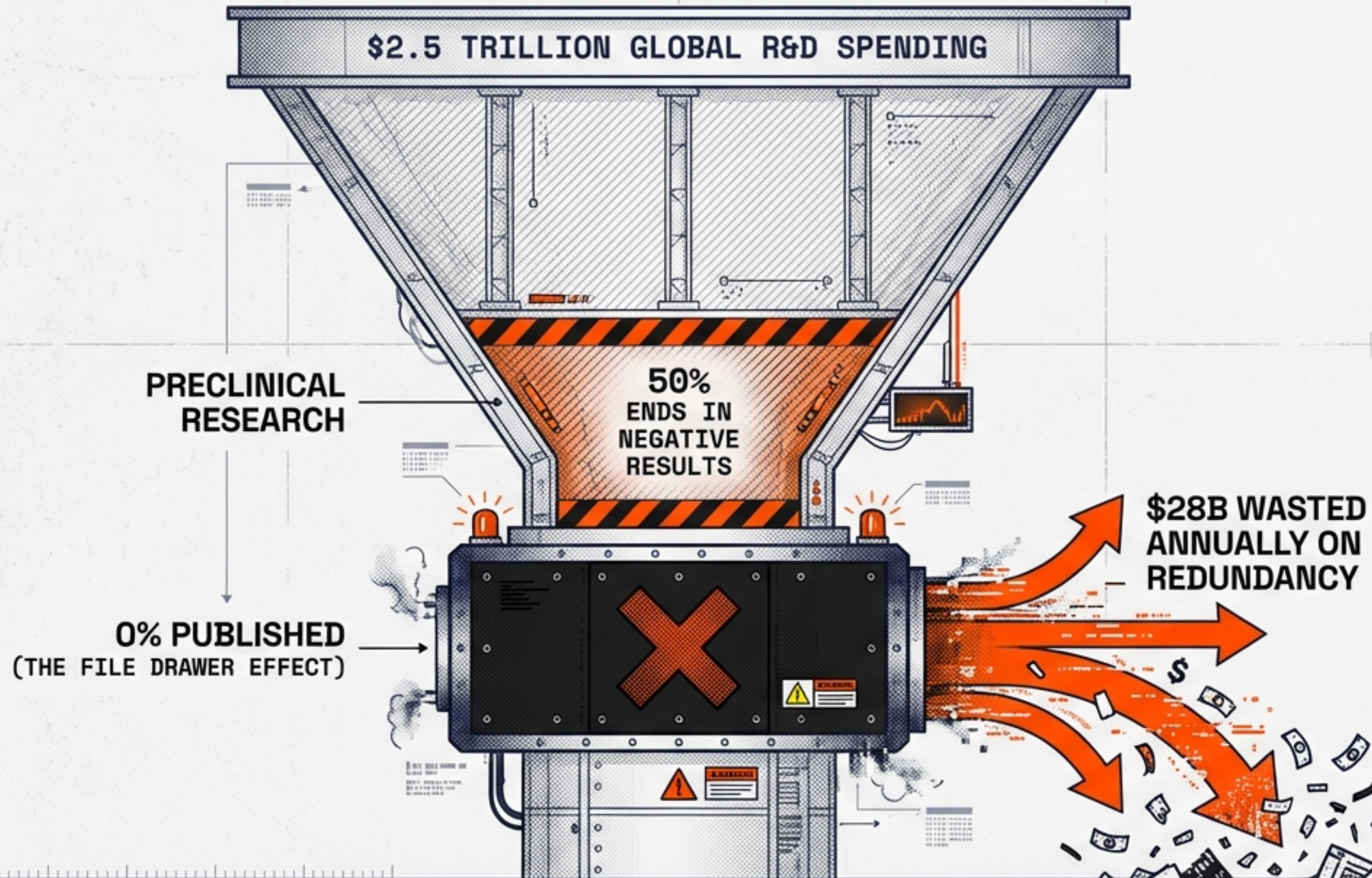


DeReticular: The Sovereign Infrastructure for Scientific Truth

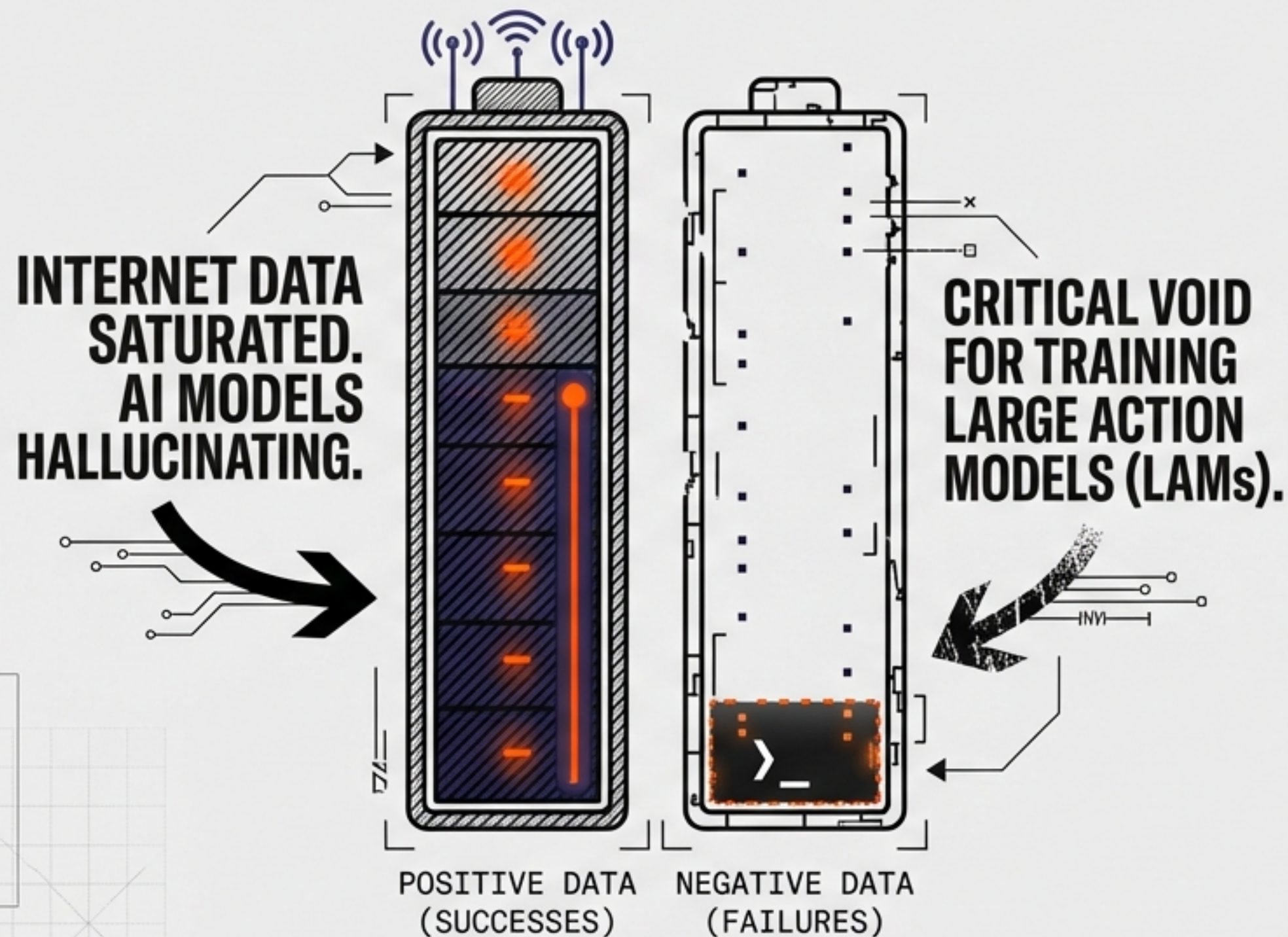
Tokenizing the \$3 Trillion
Grant Industry to Unlock the
Value of “Dark Data”.



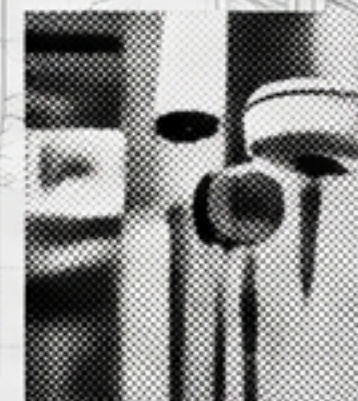
THE \$28 BILLION ANNUAL LEAK



WHY AI IS STARVING IN 2026



- **Context:** AI models have consumed the entire "positive" internet. They lack failure data.
- **The Market Gap:** Pharmaceutical companies are desperate for negative datasets.
- **Key Insight:** Current drug discovery AI is over-optimistic because it has never "seen" a failed molecule.

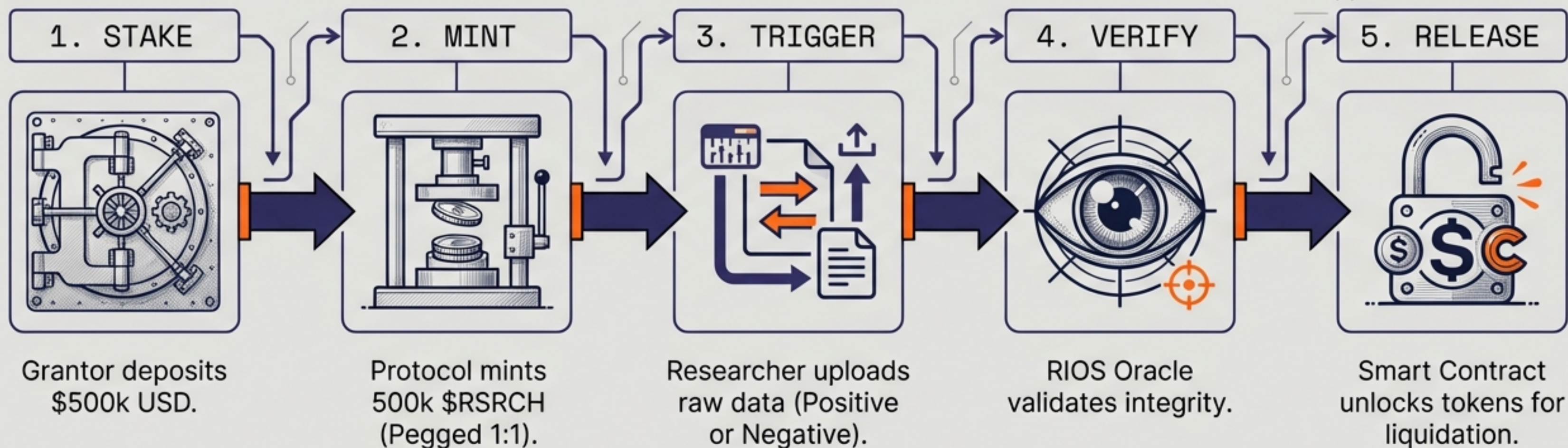


FAILURE IS NO LONGER WASTE. IT IS A COMMODITY.



THE SOLUTION: A GRANT-BACKED UTILITY TOKEN MARKETPLACE

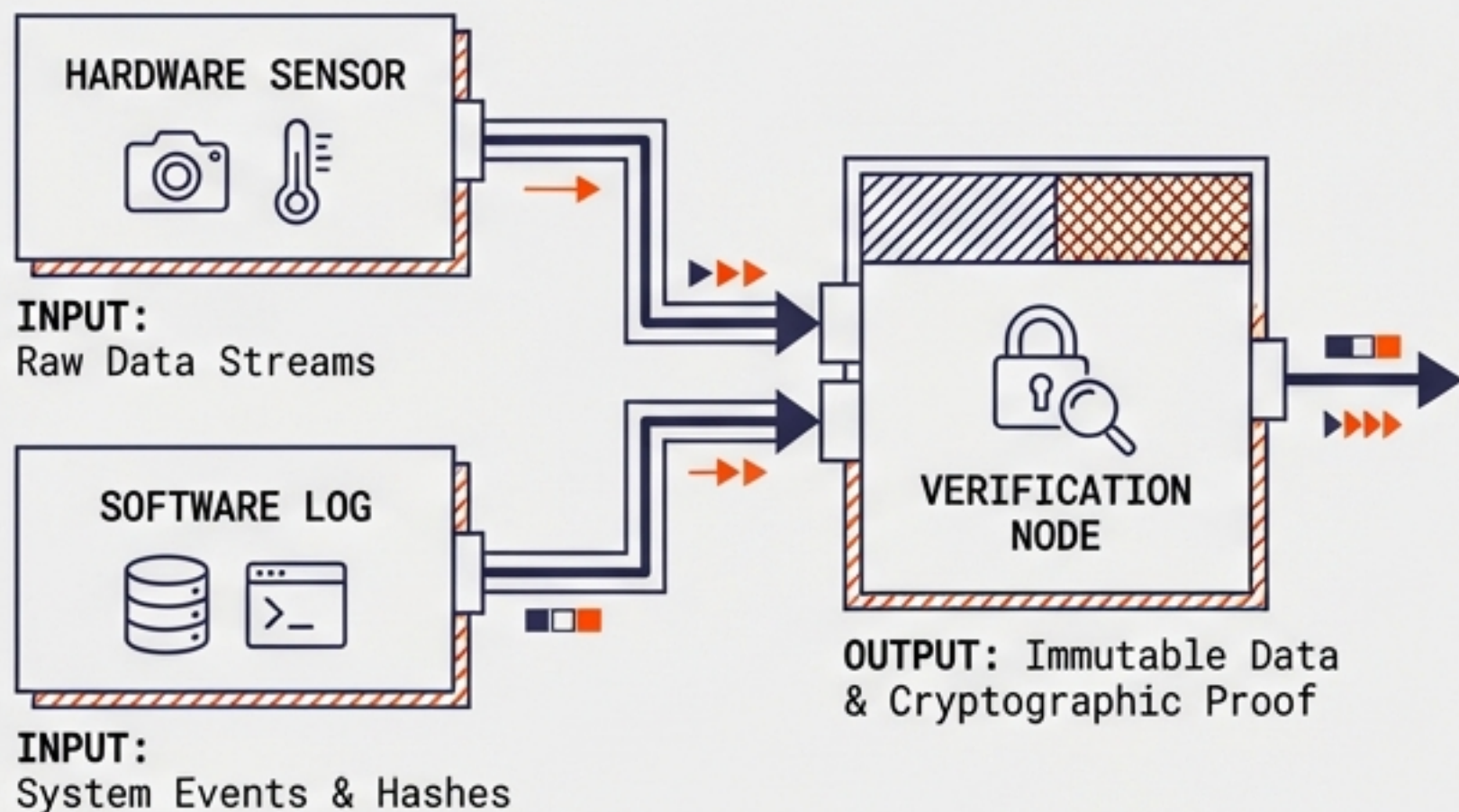
Shifting from Trust-Based to Verification-Based Funding



VALUE: THE RESEARCHER GETS PAID FOR RIGOR, NOT JUST SUCCESS.

INFRASTRUCTURE: RIOS & OPERATION OCTAGON

RIOS SIGNAL FUSION



THE ISLAND MODE ADVANTAGE



PROBLEM:
Centralized clouds (AWS/Google) can be censored

SOLUTION:
8 Sovereign Nodes (Operation Octagon) ensure immutable, offline-capable storage

! PROOF OF CONCEPT: HEMPGRADE AI. We are currently using RIOS cameras to verify industrial hemp biomass destruction and minting RWA tokens.

THE 'BLOOMBERG TERMINAL' OF NEGATIVE RESEARCH

```
MOLECULE_FAIL_LOG > STATUS: CONFIRMED_NEGATIVE > TIMESTAMP: 14:02:01
TOXICITY_NULL_RESULT > COMPOUND_ID: XJ-901 > P_VALUE: 0.85
P_VALUE_SIG > THRESHOLD: <0.85 > CURRENT: 0.72 [FAIL]
EXPERIMENT_ID: 2A8102-001 > OUTCOME: NO_EFFECT
DATA_HASH: 0x4dSa8c... > INTEGRITY: VERIFIED

MOLECULE_FAIL_LOG > STATUS: <0.05 > CURRENT: 1 [FAIL]
TOXICITY_NULL_RESULT > COMPOUND_ID: XJ-901: 1000
MOLECULE_FAIL_LOG > THRESHOLD: MOTHEROR: NO_EFFECT

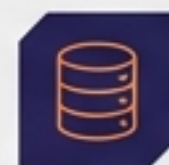
TOXICITY_NULL_RESULT > COMPOUND_ID: MOLECULE ISR MOLECULE X
P_VALUE_SIG > THRESHOLD: <0.05 > CURRENT: 10 P_VALUE: 0.85
EXPERIMENT_ID: 2A8103-001 > OUTCOME: NO_EFFECT
DATA_HASH: 0x4dSa8c... > INTEGRITY: VERIFIED
```



THE PRODUCT (GRANT ESCROW PROTOCOL)

Revenue: 1.5% Grant Management Fee
(vs. Universities' 15-50%).

Value: Grantors get 100% accountability; no money lost to
vague progress reports.



THE SERVICE (DARK DATA REPOSITORY)

Revenue: High-margin data licensing.

Value: Pharma Companies don't spend \$10M testing
Molecule X. They buy our failure dataset for \$50k.

THREE HORIZONS OF ADOPTION



LONG-TERM: Federal (NIH/NSF)

\$50B/YEAR.

Target: Infrastructure Partners.

Use Case: Mandated Data Integrity.



MID-TERM: Pharma/Ag

\$200B MARKET.

Target: Efficiency Seekers.

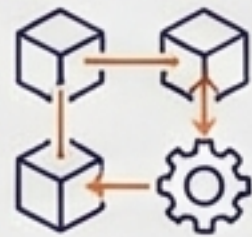
Use Case: Buying negative data.

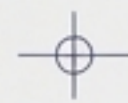
NOW: DeSci (Decentralized Science)

\$500M MARKET.

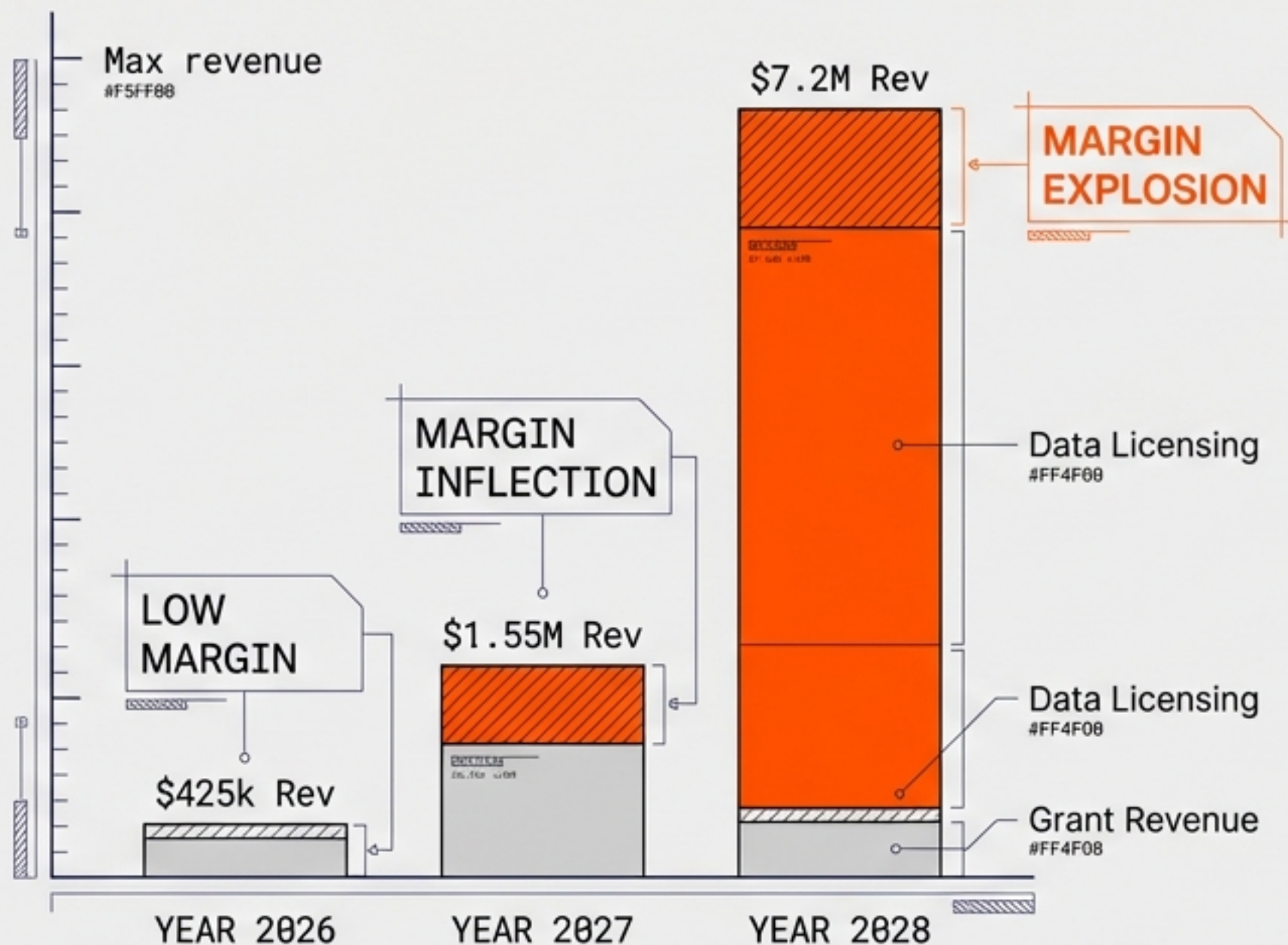
Target: DAOs, Gitcoin.

Use Case: High risk tolerance pilots.





FINANCIAL PRO FORMA: THE DATA MARGIN EXPLOSION



[DATA_LOG: FINANCIAL_METRICS]

> 2026

> NET LOSS: -\$95k.
FOCUS: INBOUND GRANTS.

> 2027

> EBITDA: \$250k.
MILESTONE: FIRST COMMERCIAL DATA SALE.

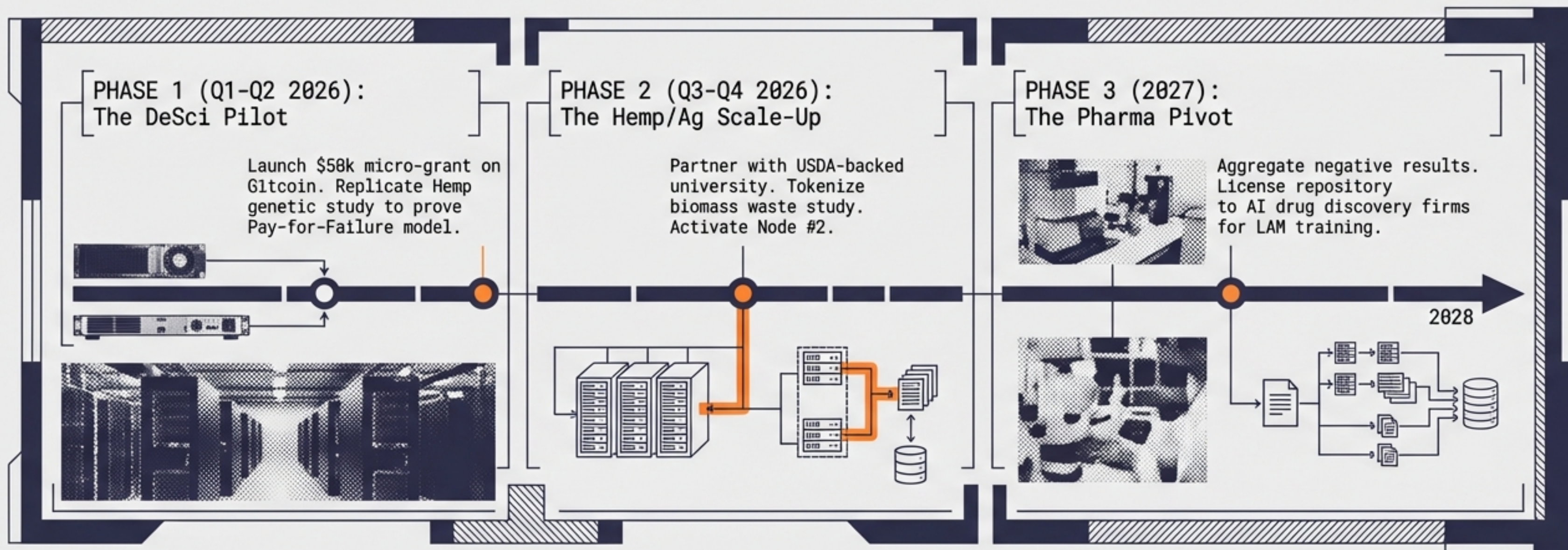
> 2028

> EBITDA: \$4M.
MILESTONE: 55% NET PROFIT MARGIN.

Margins explode in Year 3 because reselling a dataset has near-zero marginal cost.



STRATEGIC ROADMAP (2026-2028)



[ROADMAP_LOG: KEY_MILESTONES]

- > 2026: PROVE MODEL, SECURE PILOT.
- > 2027: SCALE DATA AGGREGATION.
- > 2028: MONETIZE REPOSITORY.

FUNDING STRATEGY: THE TROJAN HORSE

INPUT VECTOR 1: THE SPEED LAYER (CRYPTO-NATIVE)

Source: Gitcoin / Optimism

Pitch Narrative:
"Tokenized RWA Marketplace"

INPUT VECTOR 2: THE PHILOSOPHY LAYER (PHILANTHROPY)

Source: Templeton Foundation

Pitch Narrative: "Mechanism for
Intellectual Humility"

INPUT VECTOR 3: THE STABILITY LAYER (FEDERAL)

Source: ARPA-H / NSF Safe-OSE

Pitch Narrative: "Resilient Data
Supply Chains (No 'Crypto' language)"

DeReticular
Platform

[STRATEGY_LOG: FUNDING_MECHANICS]

- > VECTORS ARE INDEPENDENT BUT SYNERGISTIC.
- > DIVERSIFIED RISK: CRYPTO, GRANT, FEDERAL.
- > NARRATIVE ADAPTATION IS CRITICAL.

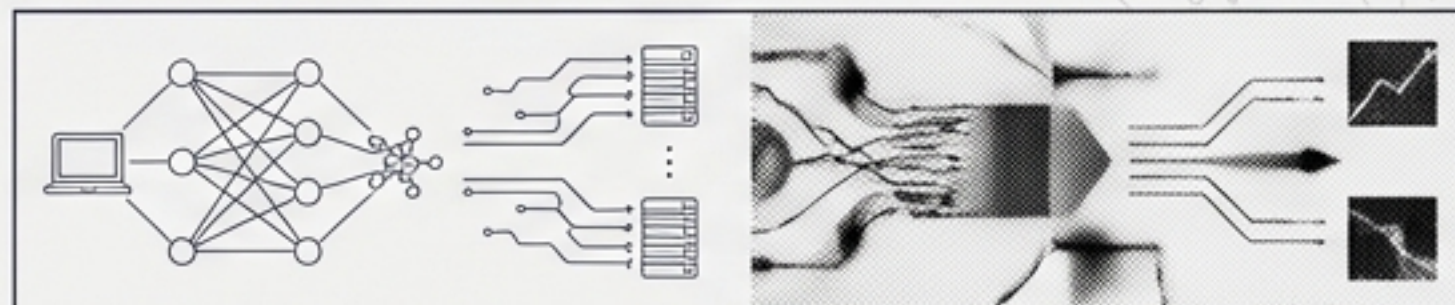
RISK MITIGATION & SWOT

STRENGTHS



RIOS Physical Proof (Hemp),
Sovereign Island Mode.

OPPORTUNITIES



AI Data Hunger, 2026 DeSci Boom.

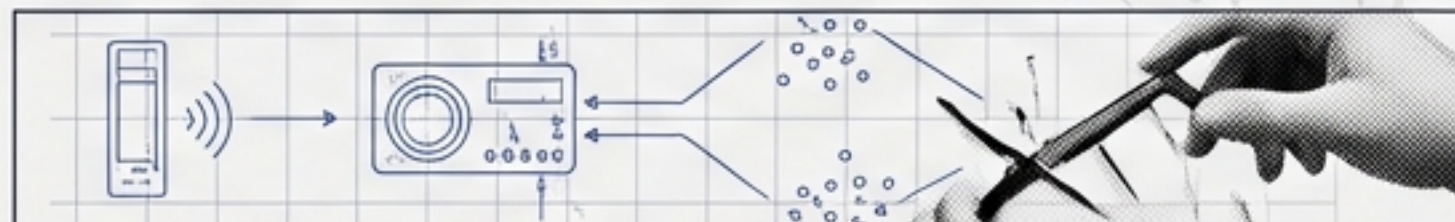
RISK: REGULATORY



Tokens deemed securities.

→ [MITIGATION_LOG: RESTRICTED_VOUCHERS]
Structure as Restricted Vouchers
(KYC off-ramps only).

RISK: ORACLE FAILURE



Fake Data Injection.

→ [MITIGATION_LOG: RIOS_SIGNAL_FUSION]
RIOS Signal Fusion (Hardware + Software) makes
spoofing prohibitively expensive.

[RISK_LOG: STRATEGIC_ANALYSIS]
> QUADRANTS ARE INDEPENDENT BUT SYNERGISTIC.
> REGULATORY: ISOLATE EXPOSURE VIA VOUCHERS.
> ORACLE: INCREASE COST OF ATTACK.

CAPITAL REQUIREMENTS

ASK: \$750,000 SEED INJECTION

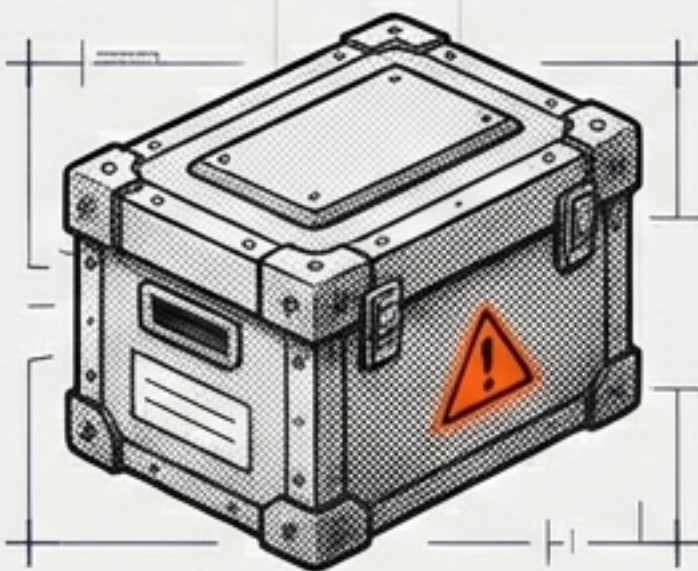


[STRATEGY_LOG: CAPITAL_ALLOCATION]

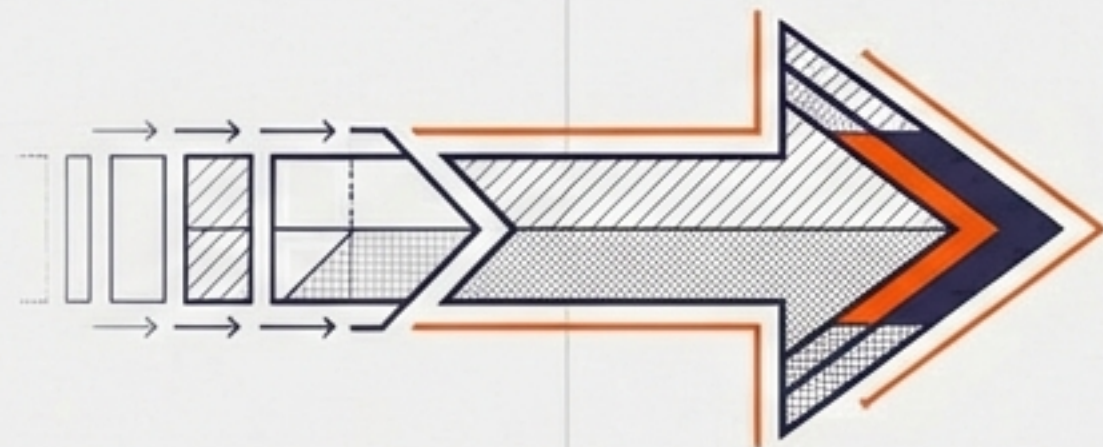
- > FUNDS DEPLOYED ACCORDING TO CRITICAL PATH.
- > EMPHASIS ON RIOS INTEGRATION AND COMPLIANCE.
- > PILOT PROGRAM TO VALIDATE MECHANISM.

VISION 2028

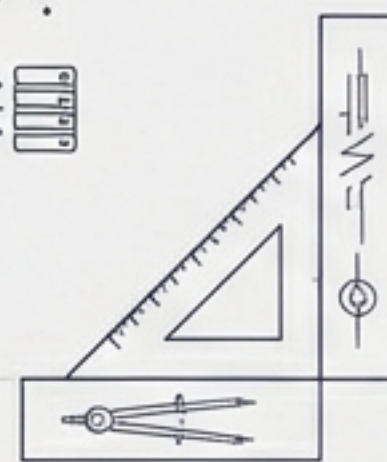
Turning the toxic waste of the scientific world—failed experiments—into the premium fuel for the AI world.



DARK DATA



AI TRAINING SET



CALL TO ACTION: JOIN THE PILOT.
CONTACT: [Founder Name/Email] | dereticular.com